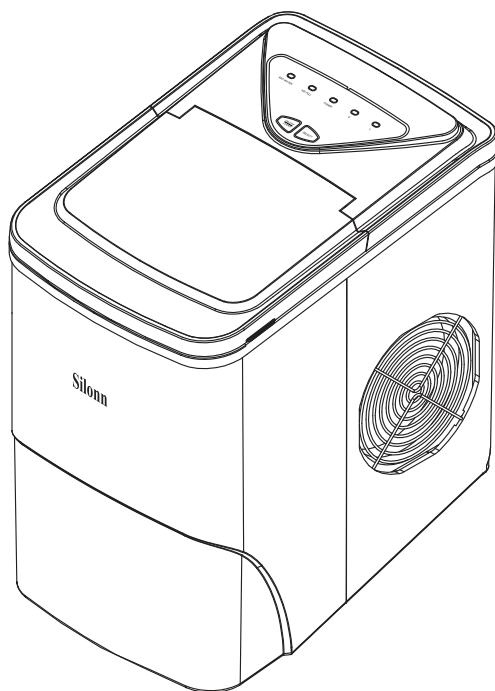


Silonn

Portable Automatic Ice Maker Instruction Manual

V1.0 (A)



Model: SLIM01G1

Thank you for choosing this Silonn product! At Silonn we strive to provide you with the best quality products and services in the industry. Should you have any issues, please don't hesitate to contact us.

IMPORTANT SAFETY INFORMATION

READ ALL INSTRUCTIONS BEFORE USING THE APPLIANCE.

WARNING

To reduce the risk of fire, explosion, electrical shock, or injury when using the unit, follow these basic safety precautions.

- Do not under any circumstances, alter or move the third (ground) prong from the power cord. For personal safety, the unit must be properly grounded.
- Do not exceed the power outlet limit. It is recommended that the unit is connected to its own circuit. Use only a 115V, 60 HZ standard electrical supply that is properly grounded following the National Electric Code and local codes and ordinances.
- Due to potential safety hazards under certain conditions, we strongly advise against the use of an extension cord. However, if you must use an extension cord, it is absolutely necessary that it is a UL-listed, 3-wire ground type appliance extension cord having a grounding type plug and that the electrical rating of the cord is 2 Amperes (minimum) and 115 Volts.
- The unit must be properly installed and located following the installation instructions before it is used. The unit is for indoor household use only. Do not use outdoors.
- Do not store or use flammable vapors or liquids near the unit.
- Do not allow children to climb, stand, or hang on the unit. Serious injury may occur.
- Do not use water that is micro-biologically unsafe or of unknown quality.
- Do not place the power cord in such a way it could be pulled on by children or cause a tripping hazard.
- Do not place the power cord in such a way that it is in contact with hot surfaces.
- Do not operate if any component, including the cord or plug, is damaged.
- Unplug the unit before cleaning by hand and when not in use.
- Do not immerse any part of the unit in water.
- Do not plug or unplug the unit with wet hands.
- Do not attempt to disassemble, repair, modify, or replace any part of the unit.

- Use the unit only for its intended purpose as described in this instruction manual.
- Do not use any accessories not recommended by this instruction manual.
- When handling, installing and operating the unit, care should be taken to avoid damage to the refrigerant tubing.
- Servicing shall be performed by factory authorized service personnel and component parts shall be replaced with manufacturer authorized replacement components.
- Do not operate if any component, including the cord or plug, is damaged.

 **CAUTION**

To reduce the risk of injury when using the unit, follow these basic safety precautions.

- Do not remove any safety, warning, or product information labels from the unit.
- Closely watch children who are near the unit when it is making ice.

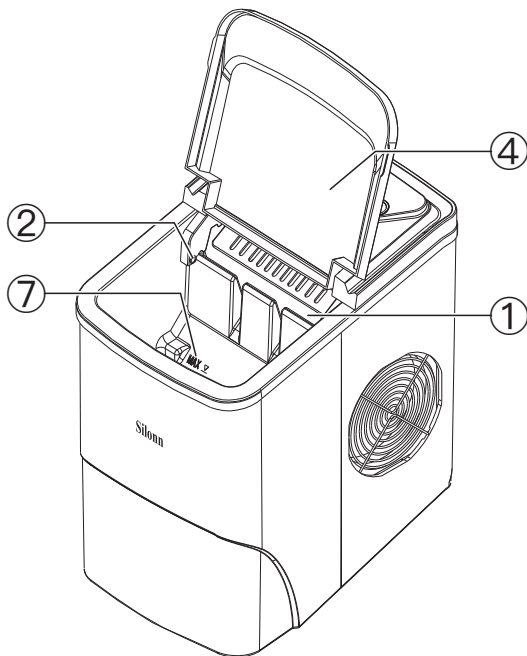
 **WARNING** 

FIRE OR EXPLOSION HAZARD Flammable Refrigerant

This unit contains an isobutane refrigerant, also known as R600a, a natural gas with high environmental compatibility. However, it is also combustible. Adhere to the warnings below to reduce the risk of injury or property damage.

1. When handling, installing and operating the unit, care should be taken to avoid damage to the refrigerant tubing.
2. Disposal of the unit under Federal and Local Regulations. Contact your local authorities for the environmentally safe disposal of your refrigerator.
3. Keep ventilation openings in the unit enclosures or the built-in structure clear of obstruction.
4. Do not place the unit near heat sources such as an oven.
5. Ensure a minimum of three inches of clearance around the side and back walls of the unit for proper air circulation.
6. Do not place the unit in direct sunlight.

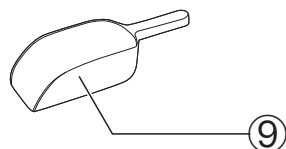
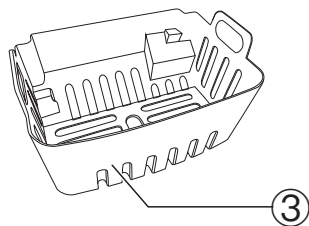
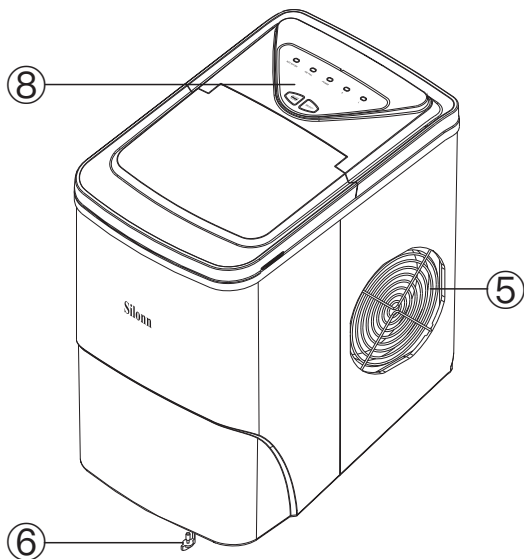
Product Introduction



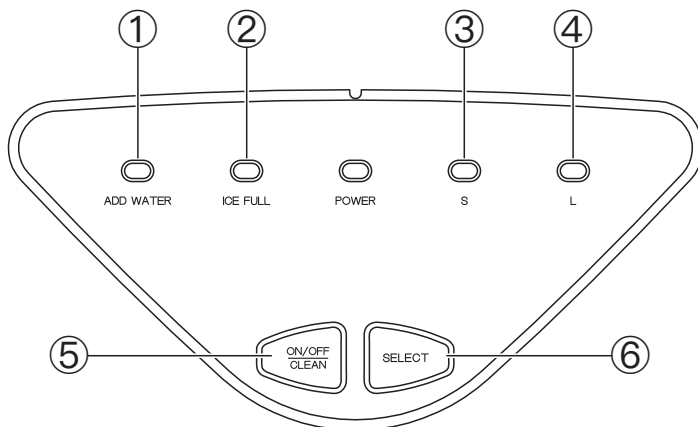
- ① Ice Shovel
- ② Ice Full Sensor
- ③ Ice Basket
- ④ Large Viewing Window
- ⑤ Air Exhaust Fan
- ⑥ Drain Plug
- ⑦ Maximum Water Fill Line

Remove the ice basket, you can see the water fill line.

- ⑧ Control Panel
- ⑨ Ice Scoop



Control Panel Introduction



	Key (with indicator light)	Function
①	ADD WATER	The indicator light turns red when the water reservoir lacks water.
②	ICE FULL	The indicator light turns red when the ice basket is full.
③	S	The indicator light turns green when small ice mode is selected.
④	L	The indicator light turns green when large ice mode is selected.
⑤	ON/OFF CLEAN	<p>Short press the "ON/OFF/CLEAN" button to turn on the ice maker and the "POWER" indicator light turns green.</p> <p>Short press the "ON/OFF/CLEAN" button to turn off the ice maker and the "POWER" indicator flashes in green.</p> <p>When the ice maker is in the status of "stand by", long-press the "ON/OFF/CLEAN" button for 5 seconds and the ice maker will turn to self-cleaning mode, the indicator lights of "S" and "L" will flash in green consecutively.</p>
⑥	SELECT	Confirming large ice mode or small ice mode.

Using Your Ice Maker

Before First Use

1. Unpack the unit, then check and make sure that all the accessories including the ice basket and ice scoop are included. Please contact us if some accessories are missed.
2. Please ensure the unit is level and on a stable table or platform to avoid malfunction.
3. Only use drinking water.
4. Do not fill the water reservoir with hot water. This may damage the unit. It is best to fill the water reservoir with water of room temperature or lower.
5. Do not use the unit in a very cold environment (lower than 41°F/5°C).
6. Clean the unit by following the operation of “CLEANING AND MAINTENANCE” before operating.

Cleaning And Maintenance

To keep your ice tasting fresh and the unit looking great, we recommend cleaning the unit once per week.

1. Remove the ice basket.
2. Clean the unit interior with a soft cloth soaked with warm water and vinegar, then rinse with clean water and then drain all the water.
3. Clean the exterior of the unit with a soft damp cloth. Use a mild dishwashing soap, if necessary.

Note:

- Do not use organic solvent, boiled water, detergent, strong acid and strong alkali etc. for cleaning.
- Please empty the water reservoir and dry it for storage if the unit is not used for a long time.
- When the unit is not to be used for a long duration, drain the water completely & dry the interior.
- Store in a well vented area.

Product Specifications

Model	SLIM01R/SLIM01G1
Voltage/Frequency	115V/60Hz
Ice-making Current	1.7A
Ice-harvest Current	2.0A
Working Power	≤160W
Water Reservoir	2L (0.53gal)
Ice Basket Capacity	1.32 lbs (0.6 Kg)
Ice Making Rate	26 lbs per day
Ice Shape	Bullet
Ice Size	Small or Large
Material	ABS, PP

Troubleshooting

PROBLEM	POSSIBLE CAUSES	SOLUTION
“ADD WATER” indicator turns on.	Lack of Water.	Stop the ice making cycle, fill water, and press “ON/OFF/CLEAN” key again to restart the ice maker.
“ICE FULL” indicator turns on.	Ice basket is full. Infrared light sensor does not work.	1. Remove the ice from the basket. 2. Contact us for assistance.
Ice making cycle is normal but no ice is produced.	1. Making ice takes too much time. 2. The water temperature is too low.	The room temperature should be 50 °F –105 °F , water temperature should be 40 °F –90 °F

**Thank you again
for choosing this Silonn product!**

All of us at Silonn do appreciate your product purchase. We hope that you are as happy with the unit as we designing and manufacturing it for you. We strive to provide you with the best quality products and services in the industry. If you have any questions please don't hesitate to contact us at

Technical Support:

877-546-8603 Mon-Fri 8am – 8pm (CST)

Other Info:

support@silonnus.com